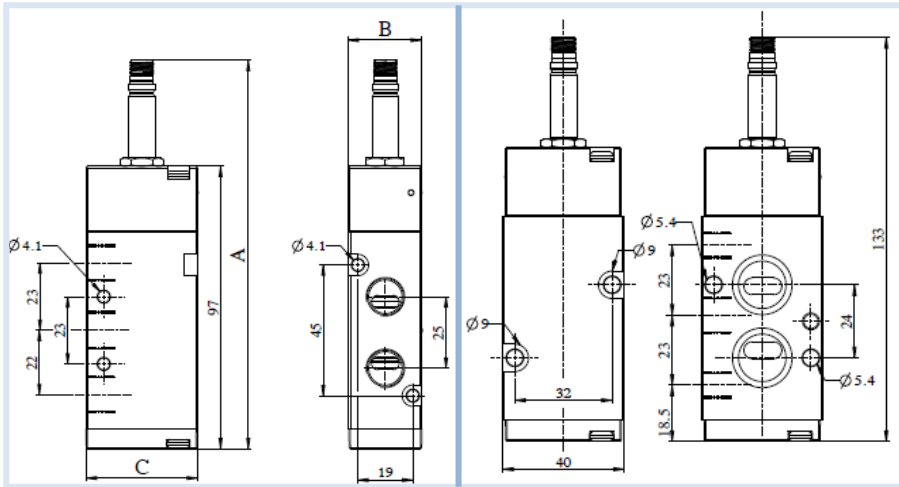


5X2 Single Solenoid Pilot Operated Valve



Technical Data

A 5/2 single solenoid spring return valve is a type of standard mechanical valve that, when activated under electrical power, opens under positive air pressure. In standard industrial applications, they have been used to actuate double acting pneumatic actuators, such as cylinders, grippers and rotator actuators.

Also Namur type of solenoid valves are available, they are directly mounted to pneumatic actuator inlet/outlet ports. And mainly have their application in process industry.

Design features and materials

Aluminum parts Aluminum alloy

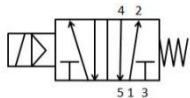
Steel Parts Steel with surface treatment

Springs Spring steel with surface treatment or S.S.

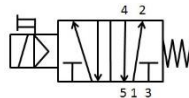
Plastic parts POM, PA, Nylon

Sealing elements Nitrile rubber

Circuit function



Without manual override



With manual override

Model	52
Design	Spool type
Medium	Compressed air- Dry, filtered, Lubricated
Working Pressure range	2-10 Bar
External Pilot pressure	2-4 Bar
Recommended oil for lubrication	ISO VG32(Servo system 32)
Ambient/Medium temperature	5°-60°C
Flow	Inlet & Outlet Port- G 1/8" - 774 LPM @10 bar G 1/4" - 1000 LPM @10 bar G 1/2" - 2930 LPM @10 bar
Electrical	
Voltage(V) ± 10%	AC (50Hz) – 24V,48V,110V,220V DC – 12V,24V,48V,110V
Power consumption	AC – 6VA, DC – 6W
Duty cycle	Continuous
Class of insulation	Class F
Packaging Dimensions(mm)	Inlet & Outlet Port - A / B / C G1/4" -133 / 25 / 38 G1/2" -161 / 50 / 38 G1/8" - 133 / 25 / 38

52S	18	MO	SS	01				
Code	Inlet/Outlet Port	Exhaust Port	Code	Override	Code	Function	Code	Type
18.....	G 1/8"	G 1/8"	MO.....	Without manual override	SS.....	Single Solenoid	01.....	Namur
14.....	G 1/4"	G 1/8"	MX.....	With manual override			00.....	W/o Namur
12.....	G 1/2"	G 1/2"						

Order Code:-

While ordering valve, please mention the suffix given above.

Example:-

The ordering no. for 5X2 Single solenoid without manual override valve with port size G1/8" is **52S18MOSS00**.