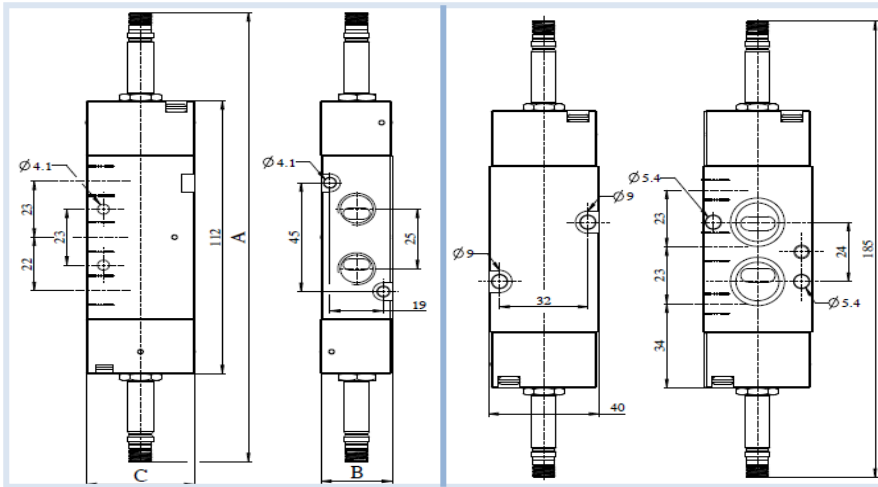


5X2 Double Solenoid Pilot Operated Valve



Technical Data

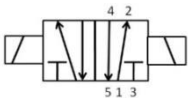
A 5/2 double solenoid valve is a type of standard mechanical valve that, when activated under electrical power, opens under positive air pressure. In standard industrial applications, they have been used where both the positions need to be controlled by electrical power.

Also Namur type of solenoid valves are available, they are directly mounted to pneumatic actuator inlet/outlet ports. And mainly have their application in process industry.

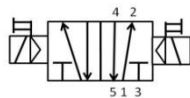
Design features and materials

Aluminum parts	Aluminum alloy
Steel Parts	Steel with surface treatment
Springs	Spring steel with surface treatment or S.S.
Plastic parts	POM, PA, Nylon
Sealing elements	Nitrile rubber

Circuit function



Without manual override



With manual override

Model	52
Design	Spool type
Medium	Compressed air- Dry, filtered, Lubricated
Working Pressure range	2-10 Bar
External Pilot pressure	2-4 Bar
Recommended oil for lubrication	ISO VG32(Servo system 32)
Ambient/Medium temperature	5°-60°C
Flow	Inlet & Outlet Port- G 1/8" - 774 LPM@10 bar G 1/4" - 1000 LPM @10 bar G 1/2" - 2930 LPM @10 bar
Electrical	
Voltage(V) ± 10%	AC (50Hz) – 24V,48V,110V,220V DC – 12V,24V,48V,110V
Power consumption	AC – 6VA, DC – 6W
Duty cycle	Continuous
Class of insulation	Class F
Packaging Dimensions(mm)	Inlet & Outlet Port - A / B / C G1/4" -185 / 25 / 38 G1/2" -213 / 50 / 38 G1/8" - 184 / 25 / 38

52S	18	MO	DS	01
Code	Inlet/Outlet Port	Exhaust Port	Code	Function
18.....	G 1/8"	G 1/8"	MO.....	Double Solenoid
14.....	G 1/4"	G 1/8"	MX.....	
12.....	G 1/2"	G 1/2"		
			Code	Type
			DS.....	Namur
				00..... W/o Namur

Order Code:-

While ordering valve, please mention the suffix given above.

Example:-

The ordering no. for 5X2 Double solenoid without manual override valve with port size G1/8" is **52S18MODS00**.